



# AQUAFORCE® ADJUSTABLE FLOW POND PUMP

AquaForce® 4000-8000  
Adjustable Flow Pond Pump  
Item #91104



[aquascapeinc.com](http://aquascapeinc.com)



# AquaForce® Adjustable Flow Pond Pump

**Thank you for choosing the AquaForce® Adjustable Flow Pond Pump.** At Aquascape our goal is to supply our customers with the best valued products in water gardening. We hope you enjoy your purchase. Thank you for choosing Aquascape. *Your Paradise. Our Passion.*®



AquaForce® Adjustable Flow Pond Pumps are submersible pumps made for continuous use in ponds, Pondless® Waterfalls, and other water feature applications. The pump's protective pre-filter cage allows it to be placed directly into the pond or water feature. Asynchronous motor technology provides superior reliability and energy efficiency for year after year of reliable performance. The included Smart Pump Receiver includes an integrated control panel and makes it easy to control your pump with the Aquascape Smart Control App.

The AquaForce can also be used as a de-icer to help keep a hole in the ice during cold winter months.

This instruction manual will guide you through the proper setup and recommended maintenance procedures to ensure long-term effectiveness.

## TABLE OF CONTENTS

Introduction .....	2
Contents .....	3
Helpful Symbols.....	3
Safety Information .....	3
Specifications Chart .....	4
Installation .....	4
General Maintenance .....	6
Winter Application .....	8
Troubleshooting .....	8
Replacement Parts .....	9
Warranty Information .....	9

## ☎ Contact Us

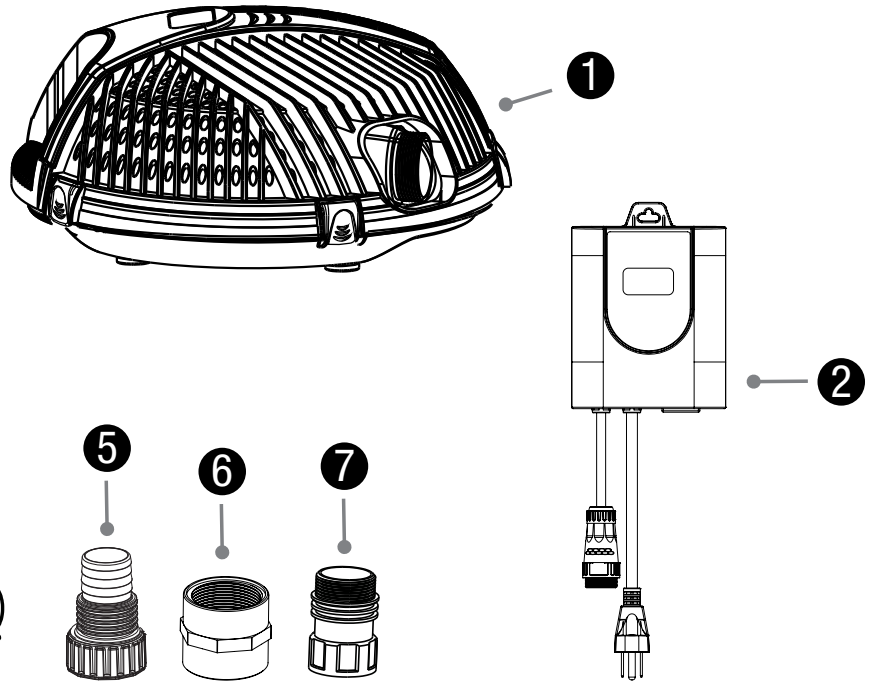
For more information about our company or products, please visit our website at [aquascapeinc.com](http://aquascapeinc.com) or call US (866) 877-6637 CAN (866) 766-3426.

## Find us on:



[facebook.com/aquascapeinc](https://facebook.com/aquascapeinc)  
[youtube.com/aquascape4](https://youtube.com/aquascape4)  
[pinterest.com/aquascapeinc](https://pinterest.com/aquascapeinc)

Contents	
No.	Description
1.	AquaForce Adjustable Flow Pond Pump
2.	Smart Control Receiver
3.	Multi-hose Adapter 1", 1.25", 1.5"
4.	1.5" Rotational Ball Output
5.	Multi-hose Adapter 1.5", 2"
6.	1.5" Female Adapter
7.	38mm FTP x 1.5" MPT



## Helpful Symbols



**WARNING Symbol** - Will alert you to the possibility of damage, injury or death if you do not comply with the warnings that accompany them. The hazard may come from something mechanical or from electrical shock.



**TIP Symbol** - Helpful information provided by a professional pond installer.

## Safety Information



**WARNING:** Risk of electric shock – This pump has not been approved for use in swimming pool or marine areas.



**WARNING:** To provide continued protection against risk of electric shock, connect to properly grounded, ground fault circuit interrupter (GFCI) outlets only, using the following guidelines:

- (A) Have a qualified electrician install a properly grounded receptacle outlet, acceptable for outdoor use and protected from snow and rain.
- (B) Inspect cord before using.
- (C) Do not use an extension cord.
- (D) Any wiring of pumps should be performed by a qualified electrician to ensure code compliance and user safety.
- (E) Unplug pump at receptacle outlet when not in use or before removal from pond.

- (F) To reduce risk of electrical shock, all wiring and junction connections should be made per local codes. Requirements may vary depending on usage and location.
- (G) The power cable should be protected at all times to avoid punctures, cuts, bruises and abrasions.
- (H) Never handle power cords with wet hands.
- (I) Do not remove cord and strain relief. Do not connect conduit to pump.
- (J) Do not use power cable to lift pump.





- Always operate the pump fully submerged. Failure to do so will overheat the pump and cause it to fail, thus voiding the warranty. **DO NOT OPERATE DRY.**
- Use only in fully assembled state, and be sure that both the upper and lower cage screens are completely snapped together. Failure to operate the pump without the filter cage closed will allow large debris to enter the pump, causing the pump to fail and voiding the warranty.
- **DO NOT** wear loose clothing that may become entangled in the impeller or other moving parts.
- Keep clear of suction and discharge openings. **DO NOT** insert fingers into pump with power connected.
- **DO NOT** pump hazardous materials or liquids, such as oil, saltwater or organic solvents.
- **DO NOT** block or restrict discharge.
- Products returned must be cleaned, sanitized, or decontaminated as necessary prior to shipment. This will ensure that employees will not be exposed to health

hazards in handling said material. All applicable laws and regulations shall apply.



**IMPORTANT:** Aquascape, Inc. is not responsible for losses, injury, or death resulting from a failure to observe these safety precautions, misuse or abuse of pumps or equipment.

### AquaForce Pond Pump Specifications

- Input Voltage: 120V AC
- Input Frequency: 60 Hz
- Submersible pump
- For outdoor or indoor use
- Thermally protected
- This pump has been evaluated for use with freshwater only
- Input Amps and Wattage

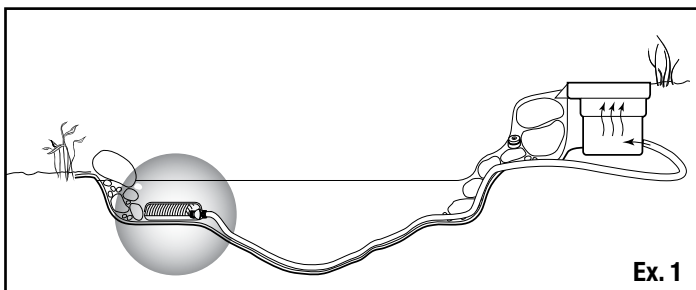
### AquaForce Adjustable Flow Pond Pump Specs

Model Number	4000-8000
Item Number	91104
Average Pond Size Recommendation	For ponds up to 16,000 US gallons
Maximum Flow Rate	7,794
Maximum Head Height	28'
Motor Type	Asynchronous
Wattage	500 - 660*
Amperage	5.5
Power Cord Length	20'
Pump Discharge Diameter	1.5" MPT
Multi-Hose Fitting Diameters	1", 1.25", 1.5", 2"
Warranty	3-Year Limited

\*Wattage range depending on remote control flow setting

## Installation

- The AquaForce Pump is designed to be submerged directly in the pond. To maximize pond circulation, locate the AquaForce pump as far as possible from the water entering back into the water feature (Ex. 1).

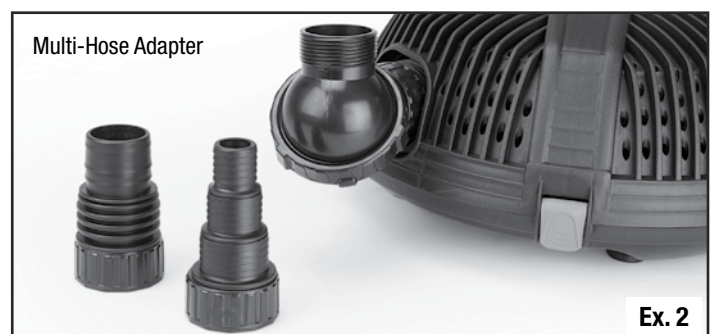


Ex. 1

- It is recommended that the pump **NOT** be positioned in the deepest area of the pond. This will protect the fish by

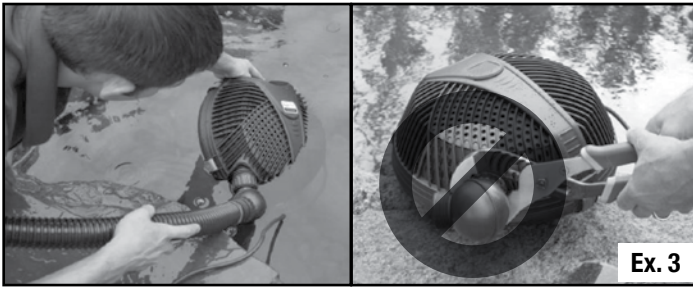
preventing the pond from completely draining in the case of a leak in the plumbing or filter. Bricks or stones can be used, if needed, to raise the pump up off the bottom of the pond.

- The AquaForce includes a wide assortment of fittings. Select the appropriate fitting(s) needed for your application (Ex 2).



Ex. 2

- The threaded collar, on all of the fittings, enables the AquaForce pump to be installed and removed without the need for any tools (Ex 3).

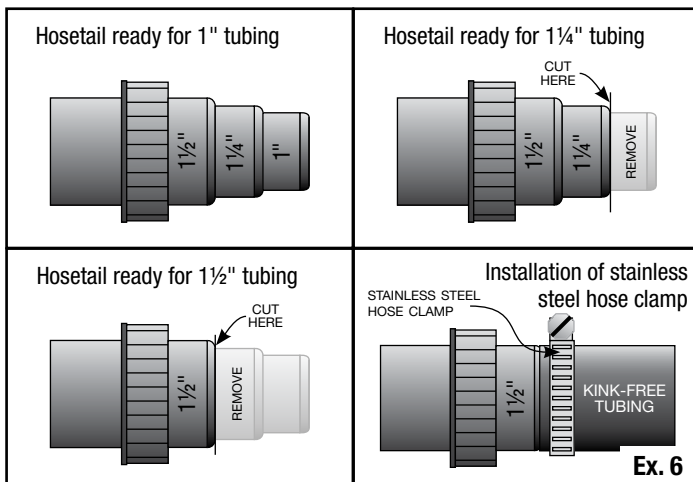


**NOTE:** Do not use tools to install the fittings to the pump discharge. Fittings need to be only hand-tight.

- The extremely versatile rotational ball outlet provides you with the ability to adjust the pump discharge to the perfect position required by your water feature. Loosening the threaded collar allows you to rotate the upper half of the ball (Ex. 4). A flat rubber washer seal is included to ensure a leak-free connection. Make sure the flat rubber washer is in place before installing the fittings (Ex. 5).



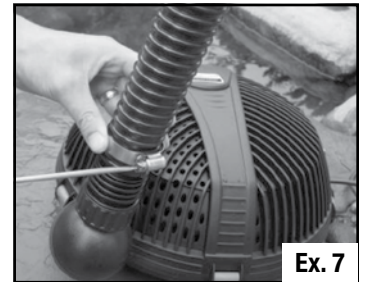
- Install the right sized multi-hose adapter based on the diameter of the tubing you are using.
- If using a pipe diameter larger than the smallest section of the multi-hose adapter, trim off the smaller sections to avoid flow restriction (Ex. 6).



- In some instances the tubing may be tight and difficult to connect to the fitting. If this is the case, we recommend heating the hose with a hair dryer or dipping the hose

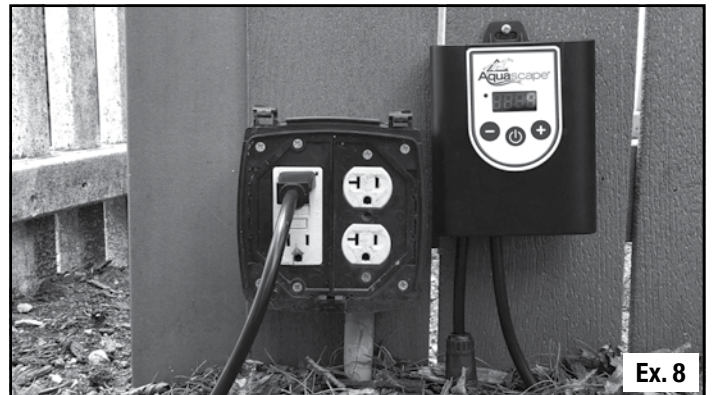
in very hot water. Lubrication can also be used; we recommend silicone grease or olive oil. Put the fitting on the filter before attaching the tubing/hose. Once the fitting is in place, attach the tubing/hose onto the fitting with a twisting motion.

- Attach tubing to the fitting. If tubing is loose on fitting, use a hose clamp (not included) to secure tubing into the fitting (Ex. 7).
- Connect the other end of the pump tubing to the pond filter, such as a biological filter, waterfall spillway, or pressurized filter.



### Smart Control Receiver Setup

- Mount the receiver above the ground on a post, fence, or wall.
- Connect the pump to the Smart Control Receiver.
- Plug the Smart Control Receiver into an outdoor-rated GFCI, and the unit will automatically enter pairing mode (Ex. 8).



**NOTE:** The blinking blue light on the face of the unit indicates the receiver is in pairing mode and ready to be connected.

- Download the Aquascape Smart Control App (available on iOS or Android App Store).
- Open the Aquascape Smart Control App and click 'Create New Account' (Ex. 9).

**NOTE:** If you already have an account, login with your username and password.

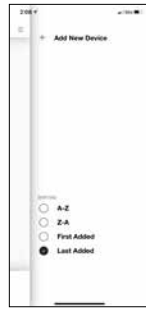
- Once logged in, click the three dashes in the upper right-hand corner of the home screen (Ex. 10).
- Click 'Add New Device' (Ex. 11).
- Enter the Wi-Fi network and password for the network to which the unit will connect (Ex. 12).



Ex. 9



Ex. 10



Ex. 11



Ex. 12

**NOTE:** Adequate Wi-Fi coverage is required (2.4g networks supported).

- Continue to follow on-screen instructions to complete the pairing process.
- To reset the device to factory defaults, first turn the unit off by pressing the power button, then press and hold the + and - buttons for four seconds and release when the LED display lights up completely (Ex. 13).



Ex. 13

- The receiver includes a switch that allows the pump to be operated in the two following modes (Ex. 14).



Ex. 14

- Position 1 - Operated by Aquascape Smart Control App or remote control
- Position 2 - Bypass control, and operate at full flow-rate

- In the event of a power loss the pump will revert to the last flow-rate setting.

### Using the AquaForce as a Winter Bubbler

- The AquaForce can also be used to prevent winter fish loss by keeping a hole open in the ice during the cold winter months. The AquaForce helps ensure there is sufficient oxygen levels and proper gas exchange in the pond.
- For best results use the AquaForce in combination with a de-icer (Ex. 15). The combination of the AquaForce and a de-icer will increase the oxygen levels and remove potentially harmful gases from the water.
- Do not place the AquaForce on the bottom of the pond during the winter, which may disrupt the natural thermocline in the deeper portions of the pond where the fish overwinter. Instead, place the pump at least one foot above the deepest point of the pond. The rotational ball should be turned upwards, allowing the water to bubble at the surface of the pond. Bricks or stones can be used, if needed, to raise the pump to the proper level.



Ex. 15

## General Maintenance

- It is recommended to inspect your pump on a regular basis to make sure it is functioning properly.

**NOTE:** Always disconnect the power before performing maintenance on the pump.

### Pump Cage Cleaning

- A pump cage clogged with debris will reduce the water flow rate.

- Remove any existing debris from the outside of the cage (Ex. 16).

### Impeller/Rotor Cleaning

- In situations with excess debris build-up, the cage will need to be removed for a more thorough cleaning.

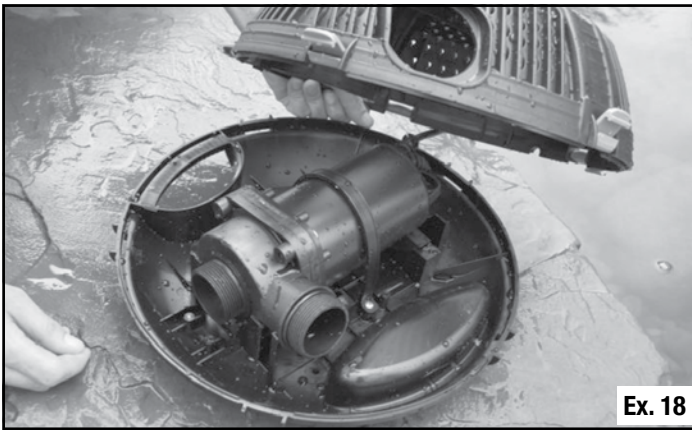
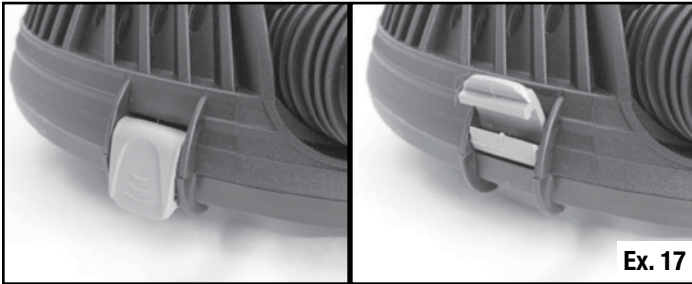


Ex. 16

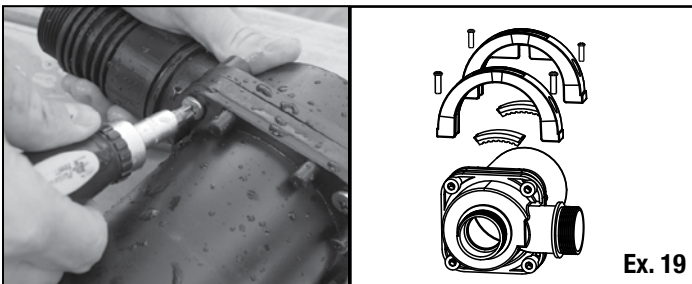


**NOTE:** Do not remove the cage while operating the pump, as failure to do so may cause the pump to fail, voiding the warranty.

- Pull the cage release tabs outward to unlock the cage (Ex. 17), then lift the upper cage to expose the pump (Ex. 18).

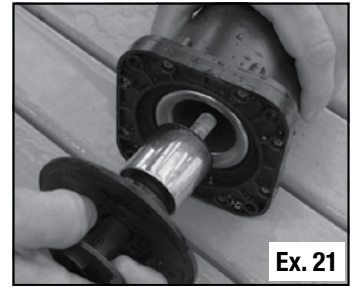


- Remove the screws securing the pump to allow the pump to be lifted from the lower cage.
- Remove the four screws on the pump to disconnect the water chamber cover (Ex. 19).

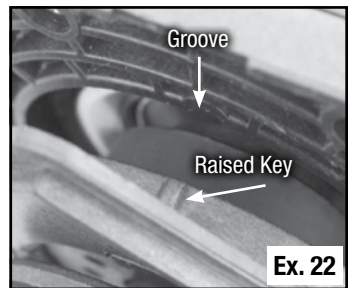


**NOTE:** For easier pump access, pull the power cord free from the strain relief (Ex. 20).

- Remove the impeller by pulling gently (Ex. 21).



- Clean the impeller and internal pump body with Aquascape Pump Cleaner Maintenance Solution (#91143), using a sponge or soft-bristle brush.
- Re-install the impeller, making sure the assembly is oriented correctly and the raised key on the impeller face plate is lined up with the groove in the pump housing (Ex. 22).



**NOTE:** Be sure to replace the cage and verify the cage is not broken before operating the pump, as failure to do so may cause the pump to fail, voiding the warranty.

## Winter Application

- If running through winter conditions, check regularly to make sure it is functioning properly and ice is not preventing water from reaching the pump. In the event of a power failure, the pump should be removed to prevent any freeze damage to the pump or the piping.
  - If concerned about possible freeze damage, disconnect and remove the pump. Be careful not to lose the flat rubber washer. Clean with fresh water and store the pump in a frost-free location. If needed, use Aquascape Pump Cleaner Maintenance Solution (#91143) to remove excessive buildup.
- 

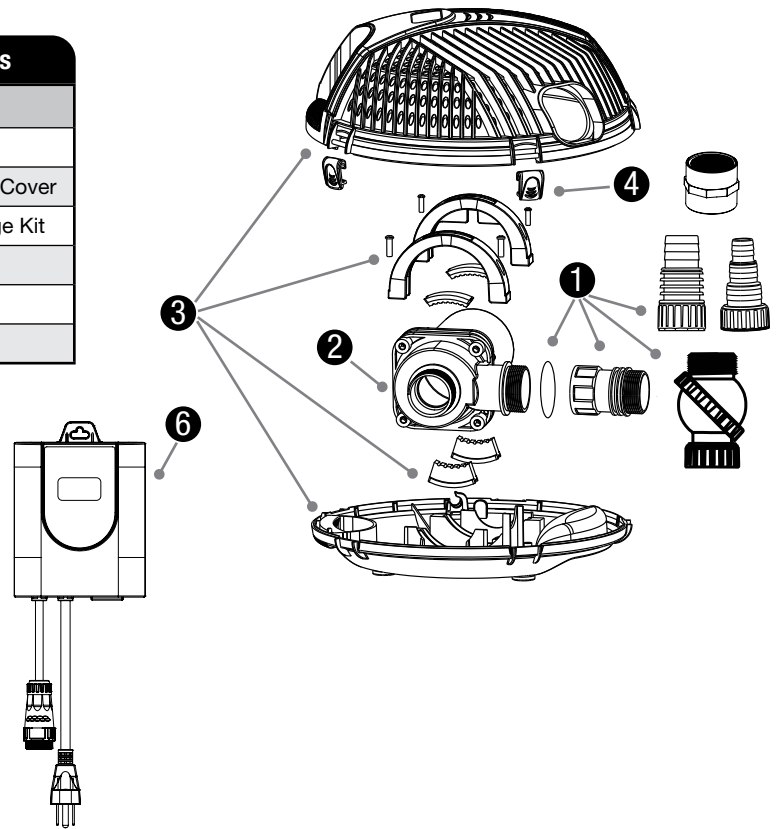
## Troubleshooting

- Reduced water flow
  - The pump or plumbing may be clogged
    - Make sure nothing is blocking the intake
    - Clean the outer cage
    - Clean the impeller rotor assembly and internal pump body
- Pump hums but doesn't push water
  - The pump or plumbing may be clogged
    - Make sure nothing is blocking the intake
    - Clean the outer cage
    - Clean the impeller rotor assembly and internal pump body
  - Make sure the pump is receiving the correct voltage
  - Make sure the impeller blades are not worn or damaged
- Pump not working
  - Ground-fault circuit interrupter (GFCI) may have tripped
  - The pump is not receiving the correct voltage
- Device won't pair
  - Make sure the outlet is receiving power
  - Make sure you have adequate wireless coverage to connect the device
  - Reset the device to factory defaults
  - Make sure the ground-fault circuit interrupter (GFCI) is not tripped



## Replacement Parts

AquaForce Adjustable Flow Pond Pump Replacement Parts	
No.	Item number/description
1.	91075 - AquaForce Replacement Cage Discharge Fitting Kit
2.	91077 - AquaForce 3600/5200 Replacement Water Chamber Cover
3.	91096 - AquaForce 4000/8000 (G2) Replacement Pump Cage Kit
4.	91079 - AquaForce (G2) Replacement Cage Clip Kit
5.	91101 - AquaForce PRO Replacement Impeller Kit
6.	45038 - Smart Control Receiver



## Warranty Information

### 3 YEAR WARRANTY

The AquaForce® Adjustable Flow Pond Pump is guaranteed for three years from date of purchase. Proof of purchase required. Warranty does not cover damage resulting from negligent handling, misuse, or lack of reasonable maintenance for care. This pump is designed for use in freshwater, non-chlorinated applications only. Warranty is valid against defect due to material and the company's workmanship only. The sole obligation shall be to replace the defective unit with a suitable replacement unit. Units should be checked for proper operation prior to returning as defective. No liability for loss or damage of any nature or kind, whether arising out of or from the use of the product, whether defective or not defective, is assumed by Aquascape, Inc. or its affiliates.

For more information about our company or products, please visit our website at [aquascapeinc.com](http://aquascapeinc.com)  
or call us at US (866) 877-6637 CAN (866) 766-3426



# AQUAFORCE<sup>MD</sup> ADJUSTABLE FLOW POND PUMP

AquaForce<sup>MD</sup> 4000-8000  
Pompe de bassin à débit  
réglable  
Référence #91104



[aquascapeinc.com](http://aquascapeinc.com)





# AquaForce<sup>MD</sup>

## Pompe de bassin à débit réglable

### Nous vous remercions d'avoir choisi la pompe de bassin à débit réglable AquaForce<sup>MD</sup>.

Chez Aquascape, notre objectif est de fournir à nos clients les meilleurs produits de jardinage aquatique. Nous espérons que vous profiterez bien de votre achat. Nous vous remercions d'avoir choisi Aquascape. *Votre Paradis. Notre Passion.*<sup>MD</sup>



Les pompes de bassin à débit ajustable AquaForce<sup>MD</sup> sont des pompes submersibles conçues pour une utilisation continue dans les étangs, les cascades Pondless<sup>MD</sup> et d'autres applications de fonctions aquatiques. La cage de préfiltre de protection de la pompe lui permet d'être placée directement dans l'étang ou le bassin. La technologie de moteur asynchrone offre une fiabilité et une efficacité énergétique supérieures pour des performances fiables, année après année. Le récepteur de pompe intelligent inclus comprend un panneau de commande intégré et facilite le contrôle de votre pompe avec l'application Aquascape Smart Control.

L'AquaForce peut également être utilisé en tant que dégivreur pour aider à garder un trou dans la glace pendant les mois froids de l'hiver.

Ce manuel d'instructions vous guidera à travers la configuration appropriée et les procédures de maintenance recommandées pour assurer une efficacité à long terme.

### TABLE DES MATIÈRES

Introduction .....	12
Contenu .....	13
Symboles utiles .....	13
Renseignements de sécurité .....	13
Tableau des caractéristiques .....	14
Installation .....	14
Entretien général .....	17
Application d'hiver .....	18
Dépannage .....	18
Pièces de rechange .....	19
Informations sur la garantie .....	19

### ☎ Communiquez avec nous

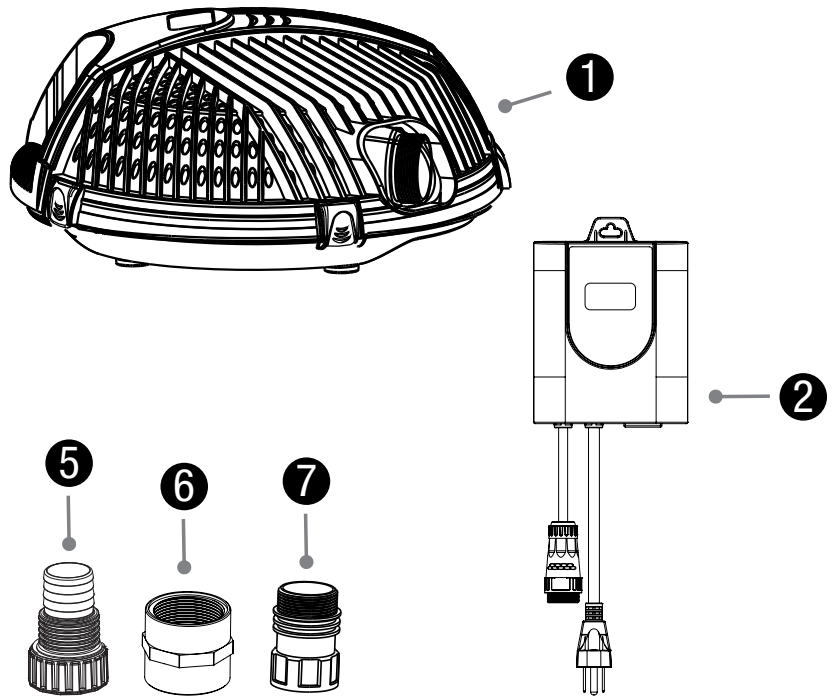
Pour plus de renseignements sur notre entreprise ou nos produits, veuillez vous rendre sur notre site Web [aquascapeinc.com](http://aquascapeinc.com) ou appeler le (866) 877-6637 (aux É.-U.) ou le (866) 766-3426 (au Canada).

### Rejoignez-nous sur :



[facebook.com/aquascapeinc](https://facebook.com/aquascapeinc)  
[youtube.com/aquascape4](https://youtube.com/aquascape4)  
[pinterest.com/aquascapeinc](https://pinterest.com/aquascapeinc)

Contenu	
N°	Description
1.	Pompe de bassin à débit réglable AquaForce
2.	Récepteur Smart Control
3.	Raccord réducteur 1 po, 1,25 po, 1,5 po
4.	Sortie à rotule orientable 1,5 po
5.	Raccord réducteur 1,5 po, 2 po
6.	Adaptateur femelle 1,5 po
7.	38mm FTP x 1,5 po MPT



## Symboles utiles



**Symbole MISE EN GARDE** - Vous alertera sur la possibilité de dommages corporels ou matériels si vous ne vous conformez pas aux avertissements qui les accompagnent. Le danger peut avoir une origine mécanique ou être dû à une électrocution.



**Symbole CONSEIL** - Informations utiles fournies par un installateur professionnel de bassins.

## Renseignements de sécurité



**MISE EN GARDE** : risque de choc électrique – Cette pompe n'a pas été approuvée pour une utilisation en piscine ou en zones marines.



**MISE EN GARDE** : Afin d'assurer une protection continue contre le risque de décharge électrique, ne branchez le cordon qu'à une prise d'alimentation avec mise à la terre, en observant les directives suivantes :

- (A) Faites installer une prise de courant correctement mise à la terre convenant à une utilisation extérieure et protégée de la neige et de la pluie
- (B) Inspectez le cordon d'alimentation avant l'utilisation
- (C) N'utilisez pas de rallonge électrique
- (D) Tout câblage relié à la pompe devrait être exécuté par un électricien qualifié pour être en conformité avec les normes et s'assurer de la sécurité de l'utilisateur
- (E) Débranchez la pompe de la prise de courant lorsque vous ne vous en servez pas ou avant de la sortir du plan d'eau
- (F) Pour réduire le risque de décharge électrique, tout le câblage et les raccordements de jonction devraient être exécutés selon les normes locales. Les exigences peuvent varier en fonction de l'utilisation et de l'emplacement
- (G) Le câble électrique devrait être protégé en tout temps pour éviter les perforations, les coupures, les ecchymoses et les abrasions
- (H) Ne manipulez jamais les cordons d'alimentation avec les mains humides
- (I) N'enlevez pas le cordon et le dispositif de réduction de la tension. Ne joignez pas le conduit à la pompe
- (J) Ne soulevez pas la pompe par le cordon d'alimentation



- Toujours faire fonctionner la pompe complètement immergée. Échec à faire ainsi, la pompe surchauffera et causera une défaillance, annulant ainsi la garantie. **NE PAS UTILISER À SEC.**
- Utilisez uniquement à l'état complètement assemblé et assurez-vous que les écrans de la cage supérieure et inférieure sont complètement enclenchés ensemble. Si la pompe ne fonctionne pas sans la cage de filtre fermée, de gros débris pourront pénétrer dans la pompe, ce qui entraînera une défaillance de la pompe et annulera la garantie.
- Ne portez pas de vêtements amples qui peuvent s'empêtrer dans la turbine ou dans d'autres pièces en mouvement.
- Tenez-vous en permanence à l'écart des ouvertures d'aspiration et de refoulement. **NE PAS** insérer les doigts dans la pompe quand elle est branchée sur une source d'alimentation électrique.
- Ne pompez pas de matières dangereuses ou des liquides, tels que l'huile, l'eau salée ou les solvants biologiques.
- Ne bloquez ni ne restreignez la sortie de la pompe.
- Les produits retournés doivent être nettoyés, désinfectés ou décontaminés au besoin, avant l'expédition pour

s'assurer que les employés ne soient pas exposés à des risques pour la santé lors de la manutention dudit matériel. Toutes lois et tous règlements en vigueur seront applicables.



**IMPORTANT :** *Aquascape inc. n'est nullement responsable des pertes, blessures ou décès résultant du non-respect de ces consignes, d'une mauvaise utilisation ou d'une utilisation abusive de la pompe ou de l'équipement.*

### Spécifications de la pompe de bassin AquaForce

- Tension d'entrée : 120 V c.a.
- Fréquence d'entrée : 60 Hz
- Pompe submersible
- Pour utilisation extérieure ou intérieure
- Protection thermique
- Cette pompe a été évaluée pour une utilisation avec de l'eau douce uniquement
- Intensité de courant d'entrée et puissance en watts

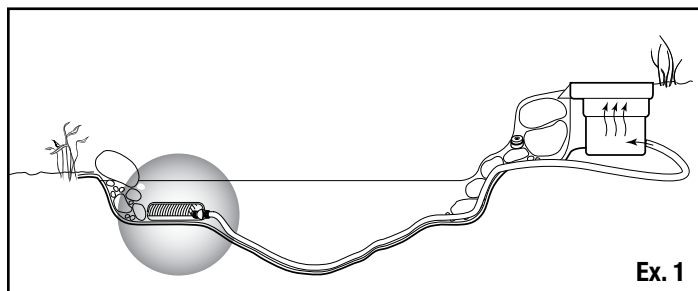
### Spécifications de la pompe de bassin à débit réglable AquaForce

Numéro de modèle	4000-8000
Référence	91104
Taille moyenne de bassin recommandée	For ponds up to 16,000 US gallons
Débit maximal	7 794
Hauteur de chute d'eau maximale	28 pi
Type de moteur	Asynchrone
Puissance en watts	500 - 660*
Intensité en ampères	5,5
Longueur du cordon d'alimentation	20 pi
Diamètre de décharge de la pompe	1,5 po MPT
Diamètres de raccords multi-flexibles	1 po, 1,25 po, 1,5 po, 2 po
Garantie	Limitée de 3 ans

\*Plage de puissances en fonction du réglage du débit par télécommande

## Installation

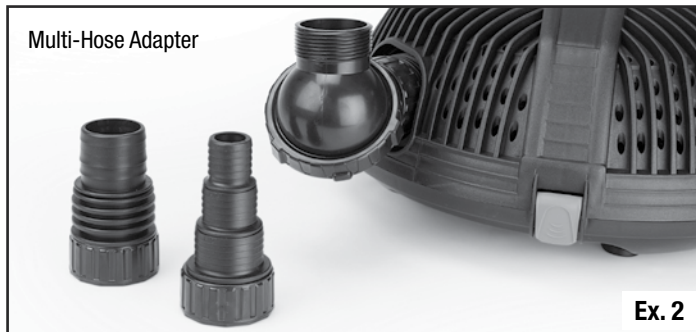
- La pompe AquaForce est conçue pour être immergée directement dans l'étang. Pour maximiser la circulation de l'étang, placez la pompe AquaForce aussi loin que possible de l'eau qui retourne dans l'eau (Ex. 1).



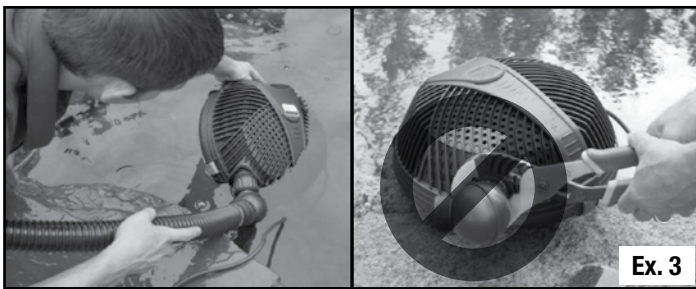
Ex. 1



- Il est recommandé de ne PAS positionner la pompe dans la zone la plus profonde de l'étang. Cela protégera le poisson en empêchant le bassin de se vider complètement en cas de fuite dans la plomberie ou le filtre. Des briques ou des pierres peuvent être utilisées, si nécessaire, pour élever la pompe au fond de l'étang.
- L'AquaForce comprend un large assortiment de raccords. Sélectionnez le (s) raccord (s) approprié (s) à votre application (Ex 2).



- Le collier fileté, sur tous les raccords, permet d'installer et de retirer la pompe AquaForce sans outils (Ex 3). Ne pas utiliser d'outils pour fixer les raccords à la décharge de la pompe. Les raccords doivent être serrés à la main seulement.

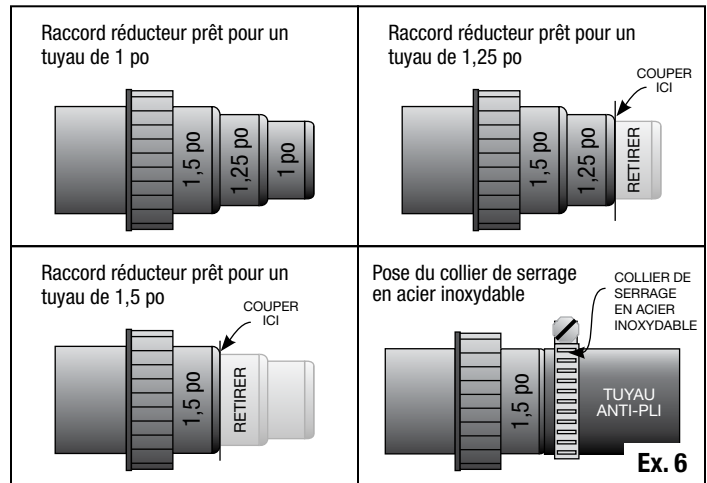


- La sortie de balle rotative extrêmement polyvalente vous permet d'ajuster le débit de la pompe à la position idéale requise par votre fonction d'eau. Desserrer le collier fileté vous permet de faire tourner la moitié supérieure de la balle (Ex. 4). Un joint plat en caoutchouc est inclus pour assurer une connexion sans fuite. Assurez-vous que la rondelle en caoutchouc plate est en place avant d'installer les raccords (Ex. 5).



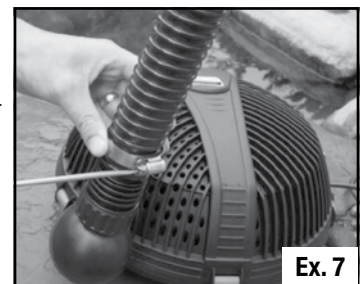
- Installez l'adaptateur pour flexibles multiples de la bonne taille en fonction du diamètre du tuyau que vous utilisez.

- Si vous utilisez un diamètre de tuyau supérieur à la plus petite section de l'adaptateur pour flexibles multiples, coupez les plus petites sections afin d'éviter toute restriction de débit (Ex. 6).



- Dans certains cas, le tube peut être serré et difficile à connecter au raccord. Dans ce cas, nous vous recommandons de chauffer le tuyau avec un sèche-cheveux ou de le plonger dans de l'eau très chaude. La lubrification peut également être utilisée. nous recommandons la graisse de silicone ou l'huile d'olive. Placez le raccord sur le filtre avant de raccorder la tubulure / le tuyau. Une fois que le raccord est en place, fixez le tuyau / flexible sur le raccord en effectuant un mouvement de torsion.

- Fixez le tube au raccord. Si la tubulure est lâche au raccord, utilisez un collier de serrage (non fourni) pour fixer la tubulure dans le raccord (Ex. 7).
- Connectez l'autre extrémité du tuyau de la pompe au filtre de l'étang, tel qu'un filtre biologique, un déversoir en cascade ou un filtre sous pression.

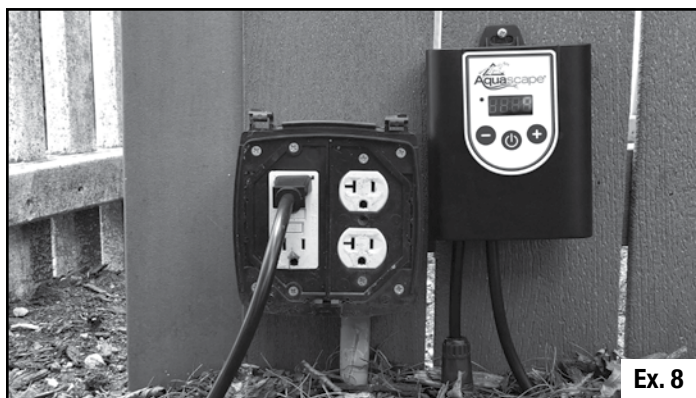


- Il est recommandé de monter le récepteur au-dessus du sol sur un poteau, une clôture ou un mur.
- Connectez le raccord rapide à la pompe et assurez-vous que la connexion est sécurisée.
- Branchez le récepteur à la source électrique externe GFCI. Une fois que la pompe est en marche et que l'eau circule, vérifiez s'il y a des fuites au niveau des connexions externes.

#### Procédure d'appariement

- Montez le récepteur au-dessus du sol sur un poteau, une clôture ou un mur.
- Connectez la pompe au récepteur de contrôle intelligent.

- Branchez le récepteur Smart Control dans un GFCI homologué pour l'extérieur et l'appareil entrera automatiquement en mode de jumelage (Ex. 8).



Ex. 8

**REMARQUE :** Le voyant bleu clignotant sur la face avant de l'appareil indique que le récepteur est en mode d'appairage et prêt à être connecté.

- Téléchargez l'application Aquascape Smart Control (disponible sur iOS ou Android App Store).
- Ouvrez l'application Aquascape Smart Control et cliquez sur "Créer un nouveau compte" (Ex. 9).

**REMARQUE :** Si vous avez déjà un compte, connectez-vous avec votre nom d'utilisateur et votre mot de passe.

- Une fois connecté, cliquez sur les trois tirets dans le coin supérieur droit de l'écran d'accueil (Ex. 10).
- Cliquez sur 'Ajouter un nouveau périphérique' (Ex. 11).
- Entrez le réseau Wi-Fi et le mot de passe du réseau auquel l'unité sera connectée (Ex. 12).



Ex. 9



Ex. 10



Ex. 11



Ex. 12

**REMARQUE :** Une couverture Wi-Fi adéquate est requise (2,4 g réseaux pris en charge).

- Continuez à suivre les instructions à l'écran pour terminer le processus de jumelage.
- Pour rétablir les paramètres d'usine par défaut, éteignez d'abord l'appareil en appuyant sur le bouton d'alimentation, puis maintenez les boutons + et - enfoncés pendant quatre secondes, puis relâchez-les lorsque l'écran à DEL est complètement allumé (Ex. 13).



Ex. 13

- Le récepteur comprend un commutateur qui permet de faire fonctionner la pompe dans les deux modes suivants (Ex. 14).



Ex. 14

- Position 1 - Exploité par l'application Aquascape Smart Control ou par télécommande
- Position 2 - Commande de dérivation et fonctionnement à plein débit

- En cas de panne de courant, la pompe revient au dernier réglage de débit.

#### Utilisation de l'AquaForce comme barboteur d'hiver

- AquaForce peut également être utilisé pour prévenir la perte de poissons d'hiver en maintenant un trou ouvert dans la glace pendant les mois froids d'hiver. L'AquaForce aide à garantir que les niveaux d'oxygène et l'échange de gaz dans le bassin sont suffisants.

- Pour de meilleurs résultats, utilisez l'AquaForce en association avec un produit de déglacage (Ex. 15). La combinaison de l'AquaForce et d'un dégivreur augmentera les niveaux d'oxygène et éliminera les gaz potentiellement nocifs de l'eau.



Pond De-Icer (#39000)

Ex. 15

- Ne placez pas l'AquaForce sur le fond de l'étang en hiver, car cela pourrait perturber la thermocline naturelle dans les parties les plus profondes de l'étang où les poissons passent l'hiver. Au lieu de cela, placez la pompe au moins un pied au-dessus du point le plus profond de l'étang. La balle rotative doit être tournée vers le haut, permettant à l'eau de bouillonner à la surface de l'étang. Des briques ou des pierres peuvent être utilisées, si nécessaire, pour élever la pompe au bon niveau.



## Entretien général

- Il est recommandé d'inspecter régulièrement votre pompe pour vous assurer qu'elle fonctionne correctement.

**REMARQUE :** Toujours déconnecter l'alimentation avant de procéder à la maintenance de la pompe.

### Nettoyage de la cage de pompe

- Une cage de pompe bouchée par des débris réduira le débit d'eau.
- Enlevez tous les débris existants de l'extérieur de la cage (Ex. 16).

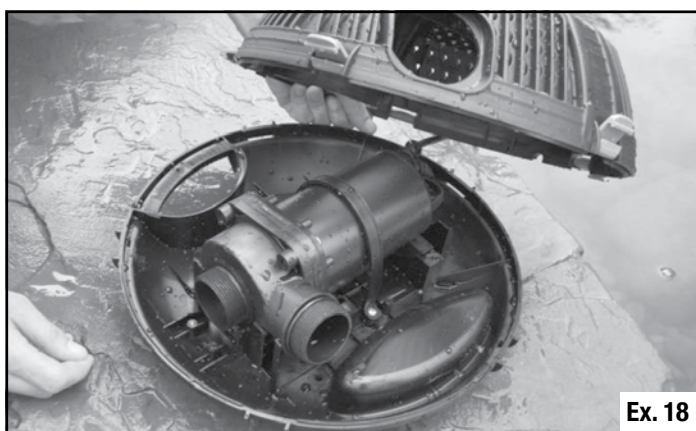
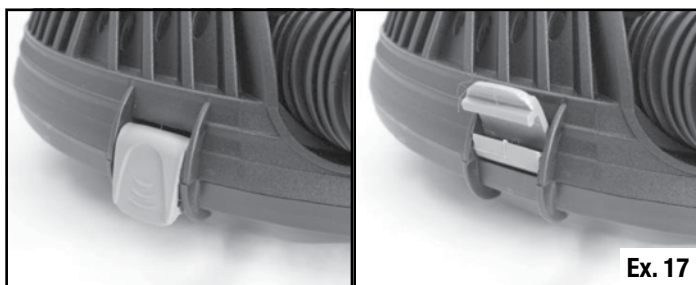


### Nettoyage de roue / rotor

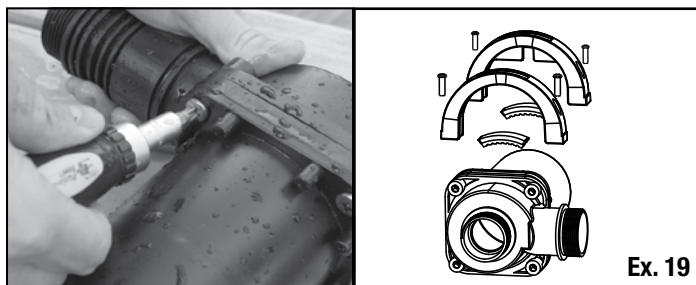
- En cas d'accumulation excessive de débris, la cage devra être retirée pour un nettoyage plus en profondeur.

**REMARQUE :** Ne retirez pas la cage pendant que vous utilisez la pompe, faute de quoi la pompe pourrait tomber en panne, ce qui annulerait la garantie.

- Tirez les languettes de dégagement de la cage vers l'extérieur pour la déverrouiller (Ex. 17), puis soulevez la cage supérieure pour exposer la pompe (Ex. 18).

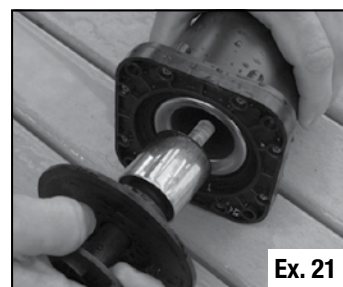
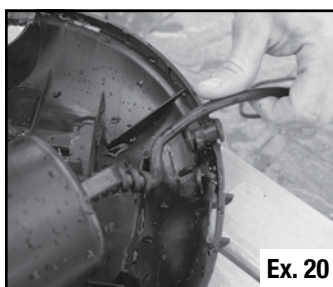


- Retirez les vis qui fixent la pompe pour pouvoir la soulever de la cage inférieure.
- Retirez les quatre vis de la pompe pour déconnecter le couvercle de la chambre à eau (Ex. 19).

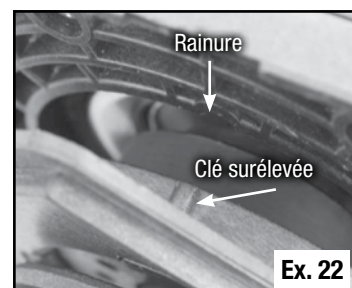


**REMARQUE :** Pour faciliter l'accès à la pompe, débranchez le cordon d'alimentation du serre-câble (Ex. 20).

- Retirer la roue en tirant doucement (Ex. 21).



- Nettoyer la turbine et le corps de pompe interne avec la solution d'entretien pour nettoyant de pompe Aquascape (n° 91143) à l'aide d'une éponge ou d'une brosse à soies souples.
- Réinstallez la roue en vous assurant que l'ensemble est orienté correctement et que la clé surélevée de la plaque frontale de la roue est alignée sur la rainure du corps de la pompe (Ex. 22).



**REMARQUE :** Assurez-vous de remplacer la cage et vérifiez que celle-ci n'est pas cassée avant de faire fonctionner la pompe, faute de quoi la pompe pourrait tomber en panne, ce qui annulerait la garantie.



## Application d'hiver

- Si vous courez dans des conditions hivernales, vérifiez régulièrement qu'il fonctionne correctement et que la glace n'empêche pas l'eau d'atteindre la pompe. En cas de panne de courant, la pompe doit être retirée pour éviter tout dommage dû au gel de la pompe ou de la tuyauterie.
- Si vous craignez des dégâts dus au gel, débranchez et retirez la pompe. Veillez à ne pas perdre la rondelle plate en caoutchouc. Nettoyez à l'eau douce et rangez la pompe dans un endroit à l'abri du gel. Si nécessaire, utilisez la solution d'entretien Aquascape Pump Cleaner (n ° 91143) pour éliminer les accumulations excessives.

---

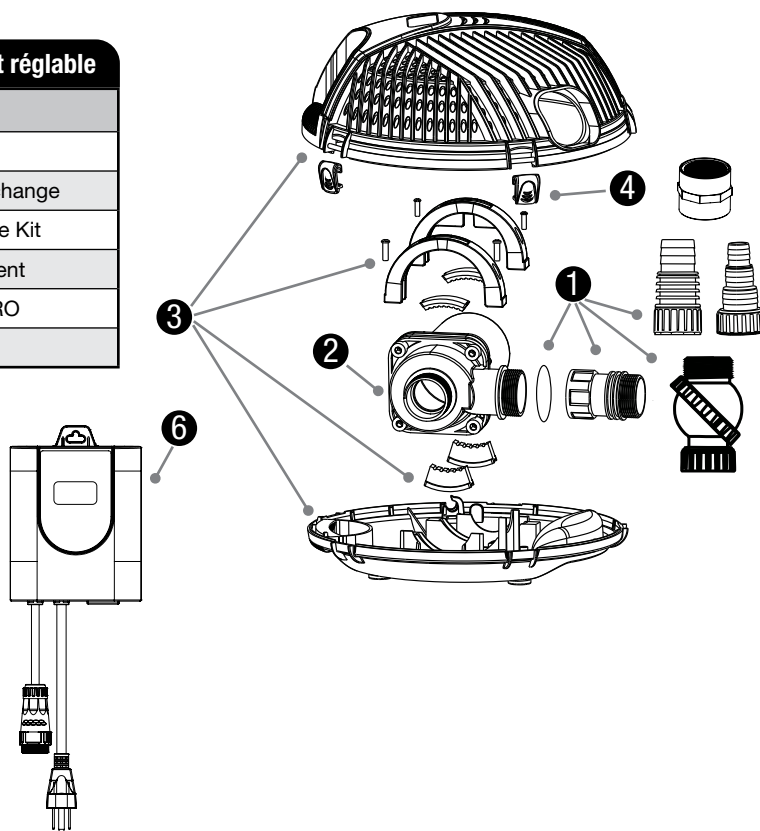
## Dépannage

- Débit d'eau réduit
  - La pompe ou la plomberie est peut-être bouchée
    - Assurez-vous que rien ne bloque l'apport
    - Nettoyer la cage extérieure
    - Nettoyer le rotor et le corps de pompe interne
- La pompe bourdonne mais ne pousse pas l'eau
  - La pompe ou la plomberie est peut-être bouchée
    - Assurez-vous que rien ne bloque l'apport
    - Nettoyer la cage extérieure
    - Nettoyer le rotor et le corps de pompe interne
  - Assurez-vous que la pompe reçoit la tension correcte
  - Assurez-vous que les pales de la turbine ne sont ni usées ni endommagées
- La pompe ne fonctionne pas
  - Le disjoncteur de fuite à la terre (GFCI) s'est peut-être déclenché
  - La pompe ne reçoit pas la tension correcte
- L'appareil ne sera pas jumelé
  - Assurez-vous que la prise est alimentée
  - Assurez-vous de disposer d'une couverture sans fil adéquate pour connecter l'appareil
  - Réinitialiser l'appareil aux paramètres d'usine
  - Assurez-vous que le disjoncteur de fuite à la terre (GFCI) n'est pas déclenché

## Pièces de rechange

### Pièces de rechange pour pompes de bassin AquaForce à débit réglable

N°	Référence/description
1.	91075 - AquaForce Kit de montage de décharge pour cage
2.	91077 - AquaForce 3600/5200 Couverture de chambre de rechange
3.	91096 - AquaForce 4000/8000 (G2) Replacement Pump Cage Kit
4.	91079 - AquaForce (G2) Kit de pince de cage de remplacement
5.	91101 - Kit de remplacement de roue à aubes AquaForce PRO
6.	45038 - Récepteur Smart Control



## Informations sur la garantie

### GARANTIE DE TROIS ANS

La pompe de bassin à débit réglable AquaForce<sup>MD</sup> est garantie trois ans à compter de la date d'achat. Une preuve d'achat est exigée. La garantie ne couvre pas les dégâts résultant de la négligence de maintenance, d'une mauvaise utilisation, ou de l'entretien ou de soins défectueux. Cette pompe est conçue pour une utilisation dans les applications d'eau douce, non chlorées. La garantie est valable contre les défauts dans les matériaux et les défauts de fabrication seulement. Le remplacement de l'unité défectueuse par une unité de rechange appropriée sera la seule obligation. Les unités devront être vérifiées afin de s'assurer de leur bon fonctionnement avant de les retourner en tant qu'unité défectueuse. Aquascape inc. ou ses filiales n'assumeront aucune responsabilité en cas de perte ou de dégâts de n'importe quelle nature, provenant ou résultant de l'utilisation du produit, défectueux ou non.

Pour plus de renseignements sur notre entreprise ou nos produits, veuillez vous rendre sur notre site Web [aquascapeinc.com](http://aquascapeinc.com) ou nous appeler au (866) 877-6637 (aux É.-U.) ou au (866) 766-3426 (au Canada).